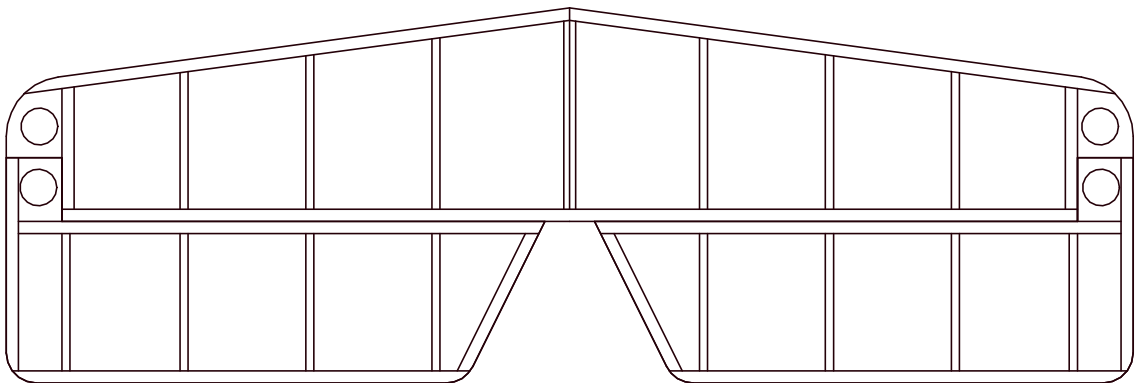
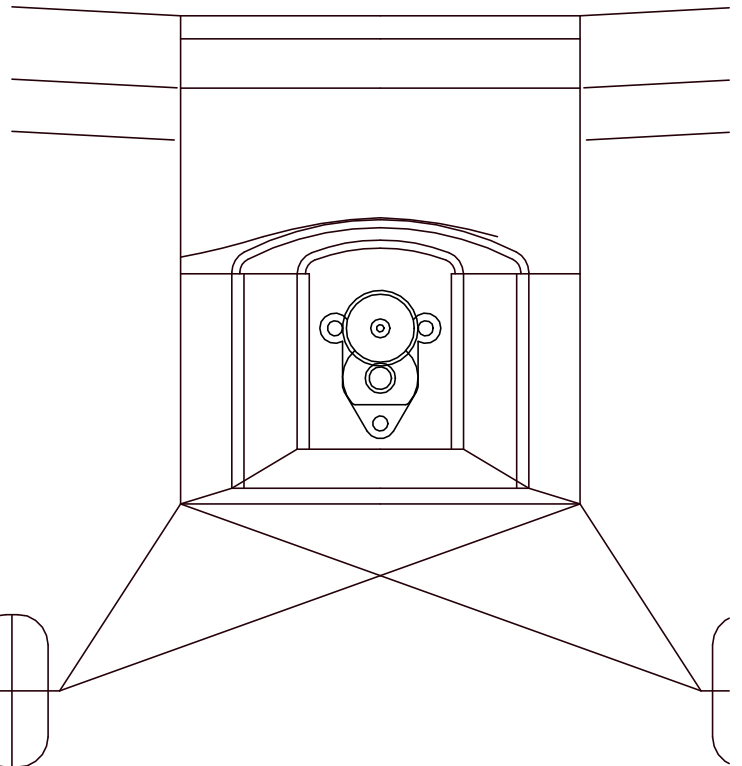
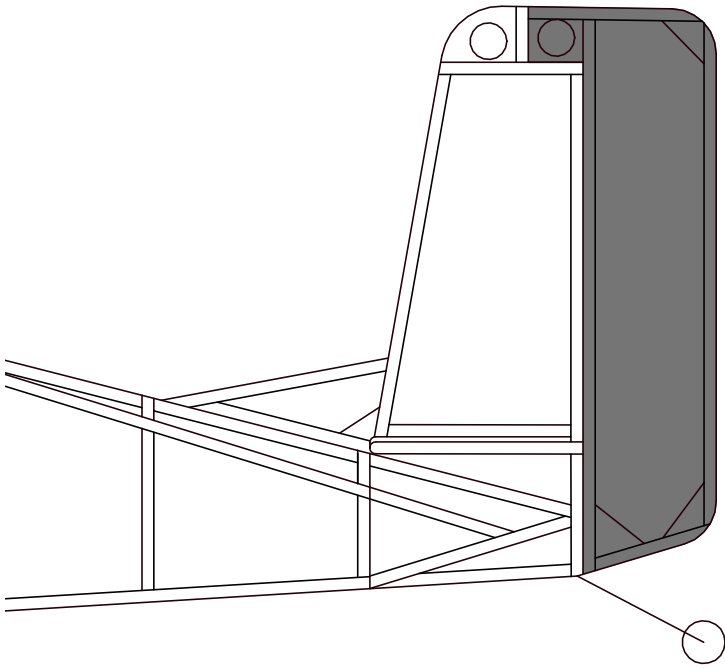
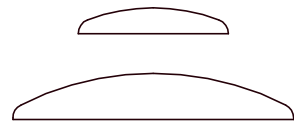
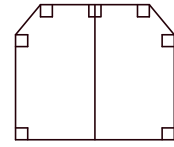
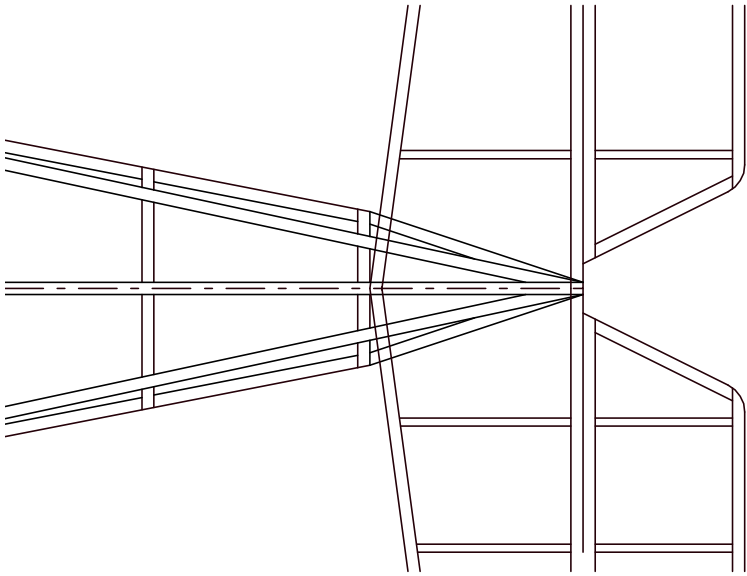


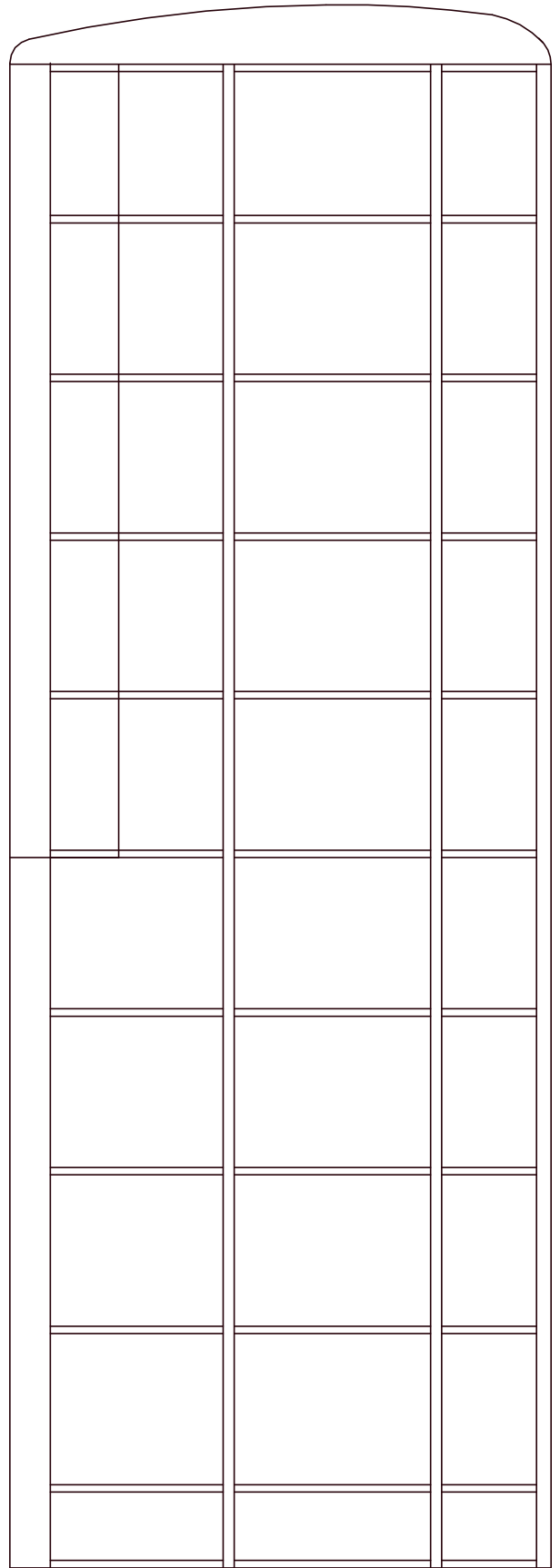
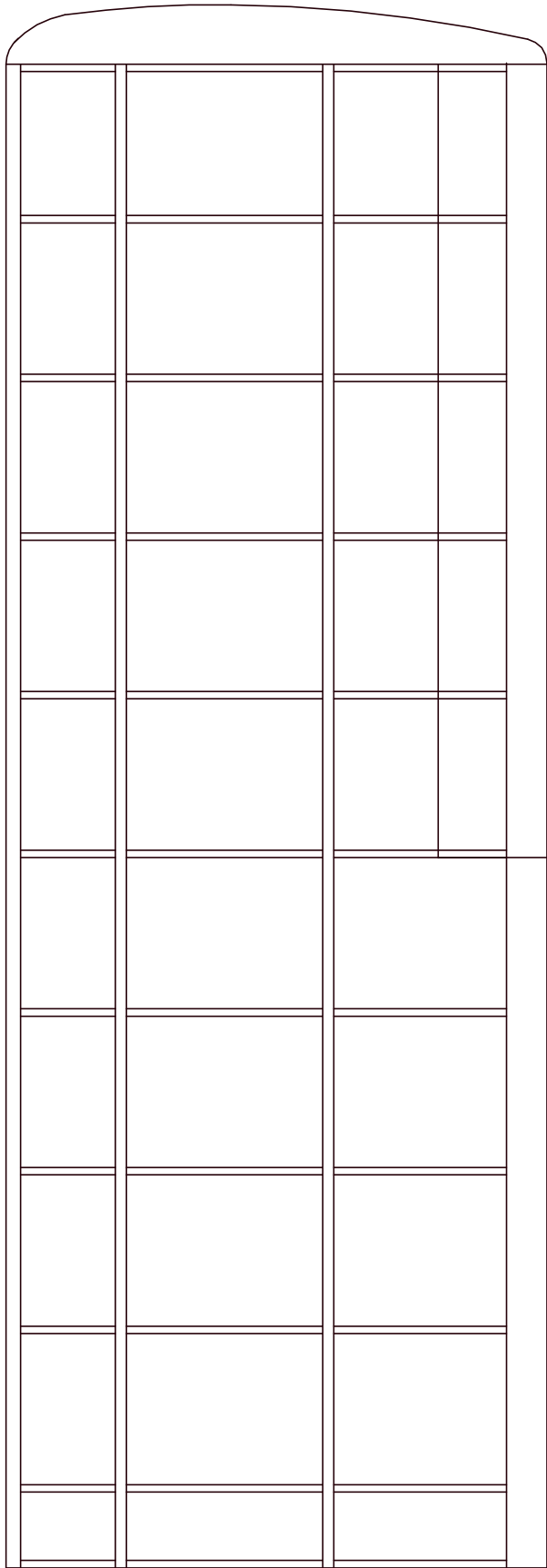
Howard Hughes Engineering Lightwing

Dimensions:	Prototype:	Model:
Span:	9.95m	508mm (20.0")
Length:		
Wing area:		
T/O Weight:	400 kg	
Scale:		1:19.6
Model designed by Derek Buckmaster November 2000		



© D Buckmaster 2000
derekb@unite.com.au





— — —

