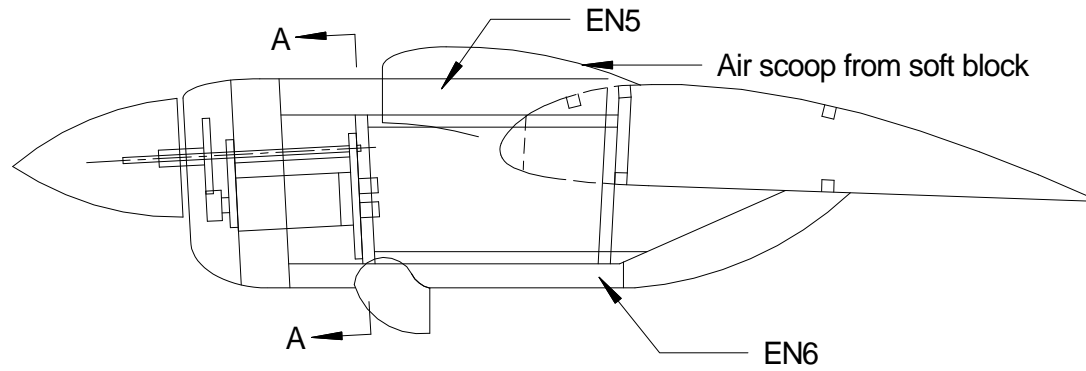
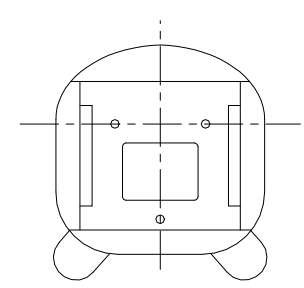


Engine nacelle front view

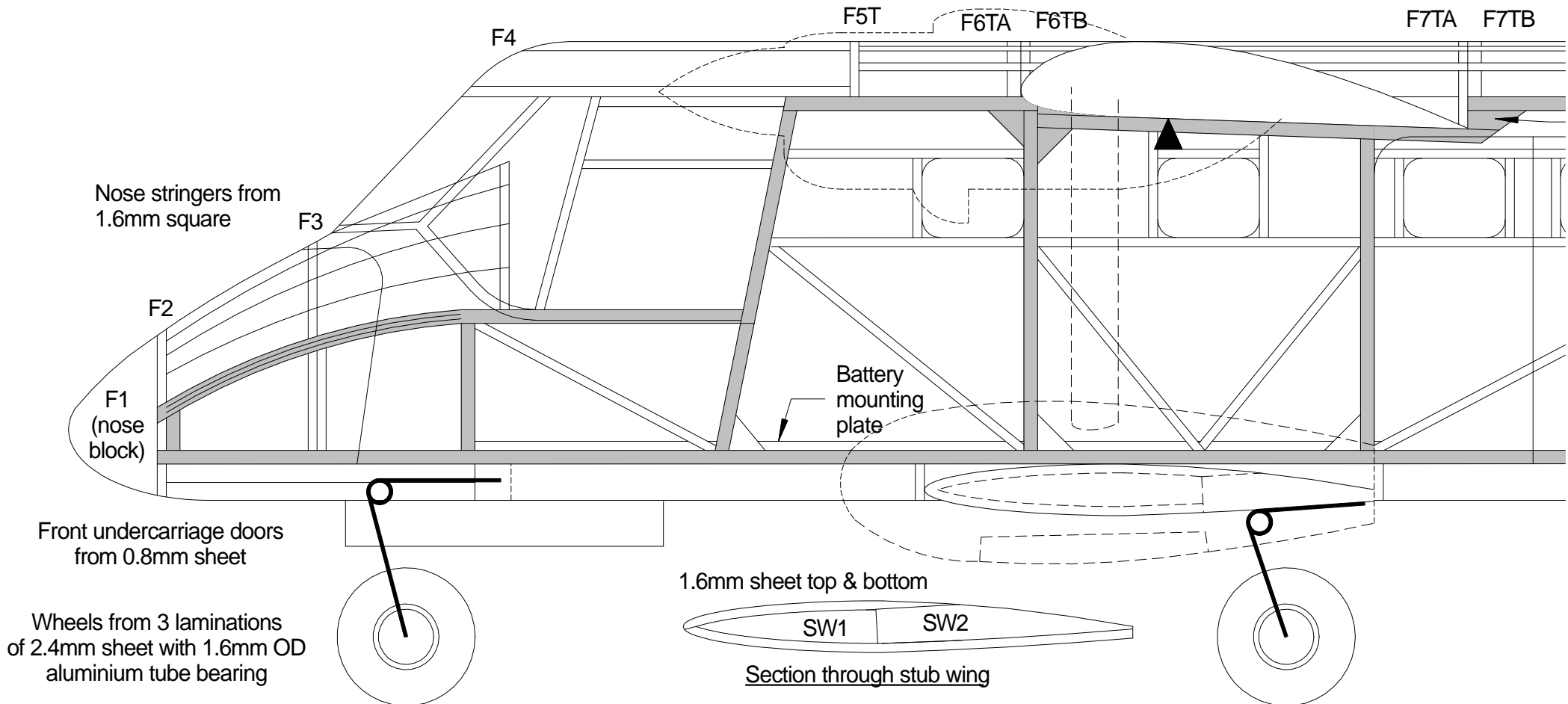


Engine nacelle side view

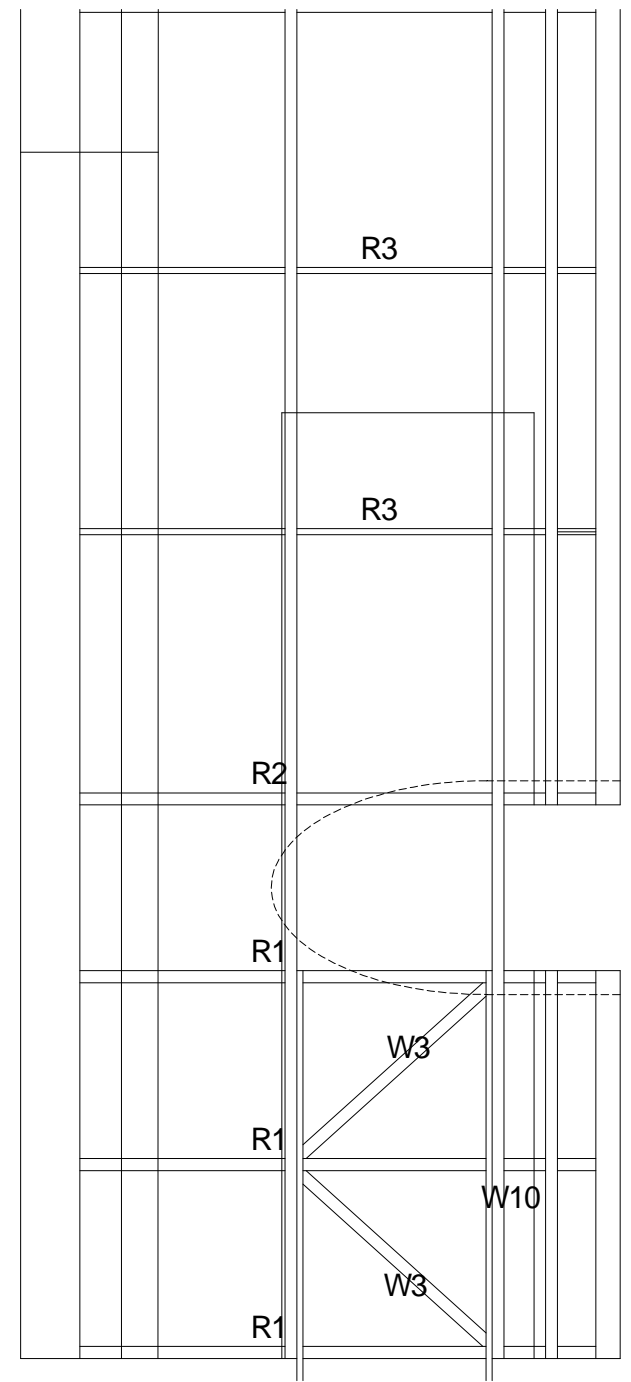
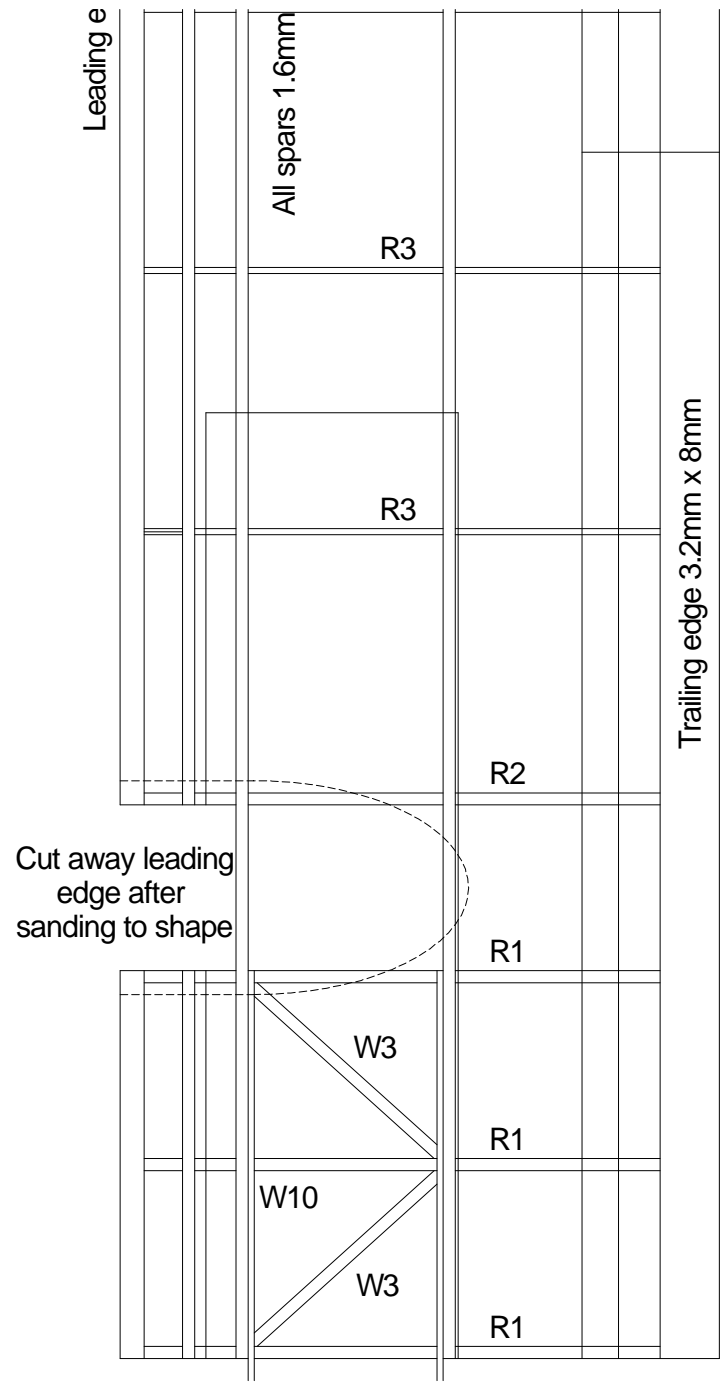


Section A-A

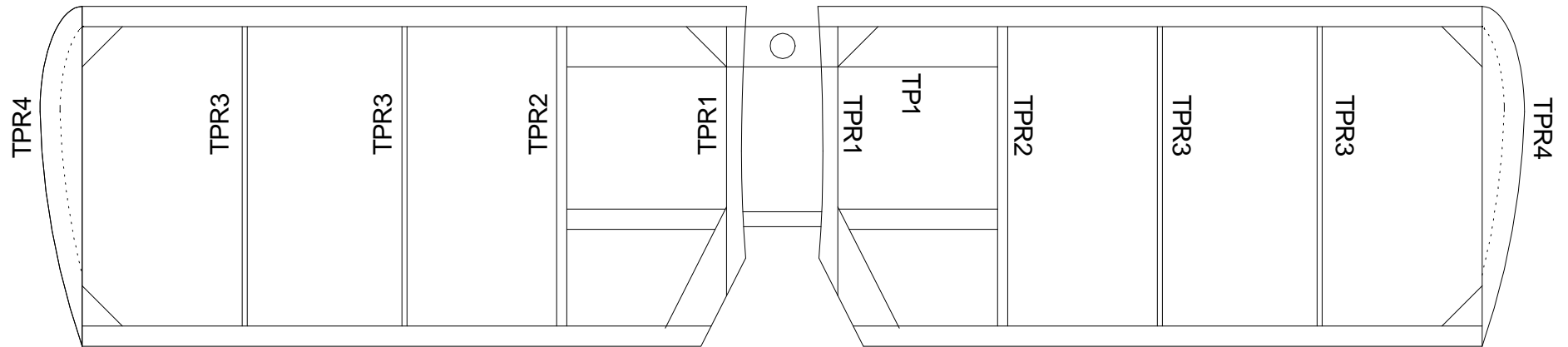
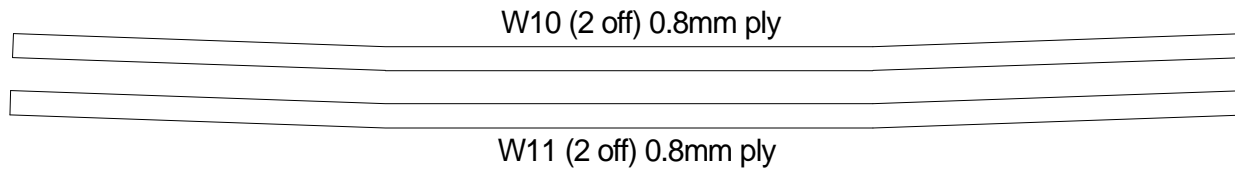
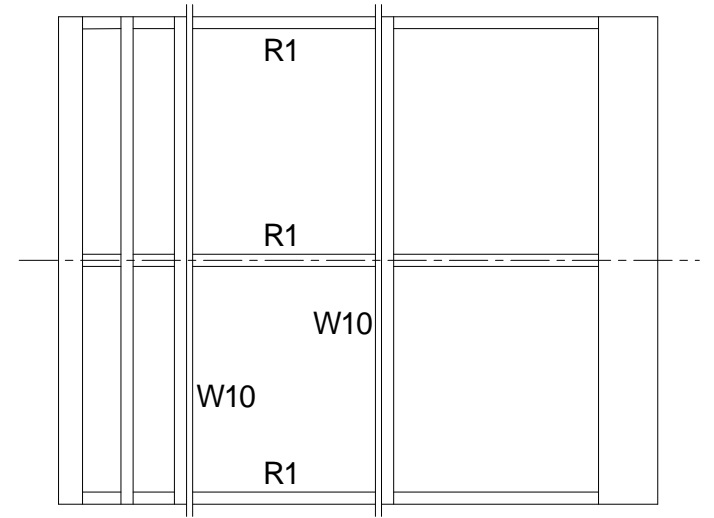
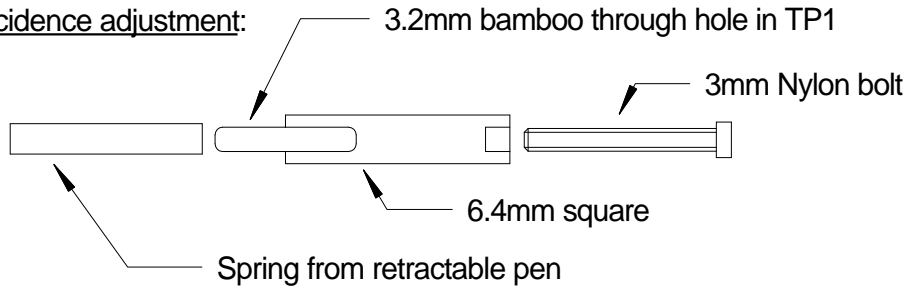
▲ Balance at this point



Section through stub wing

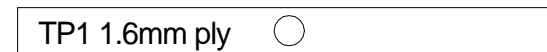
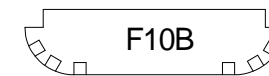
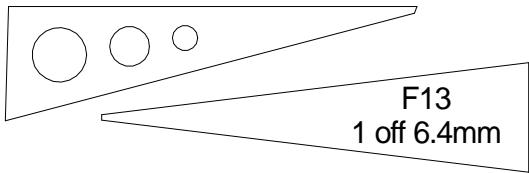
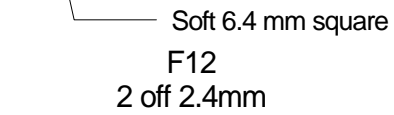
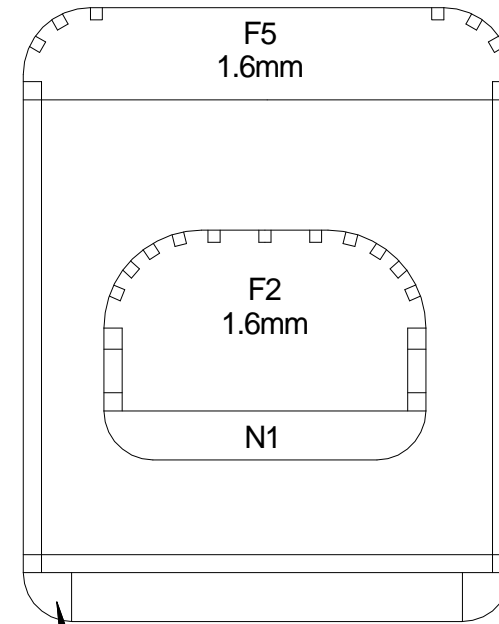
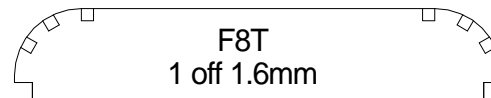
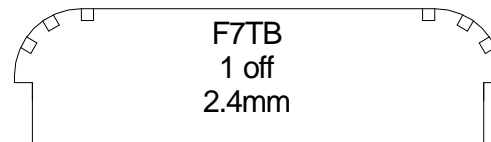
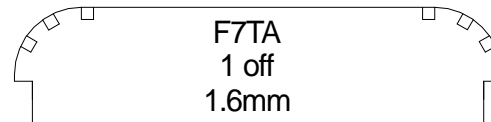
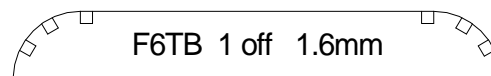
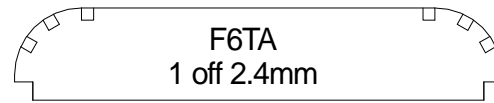
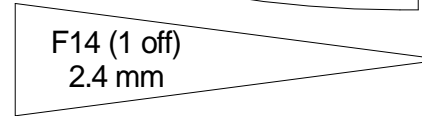
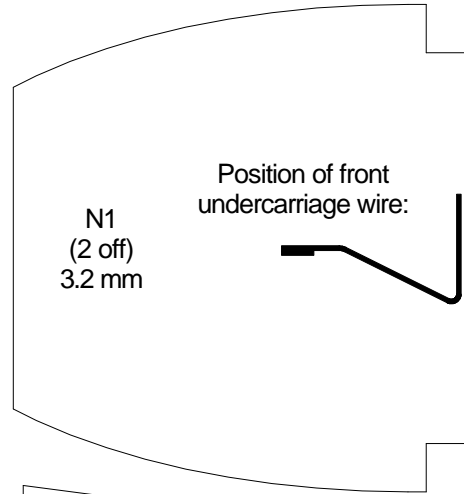
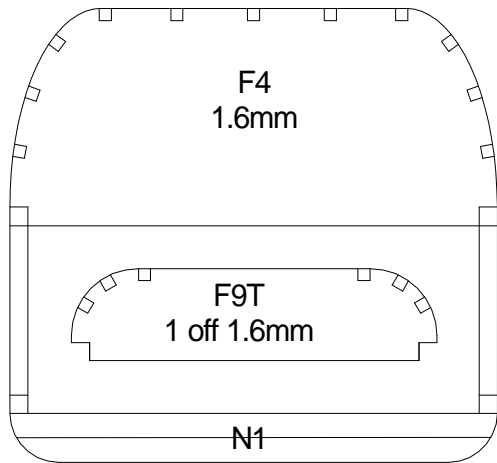
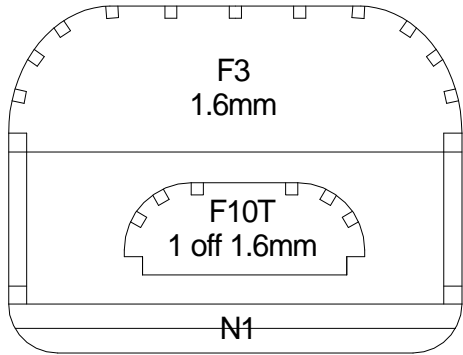
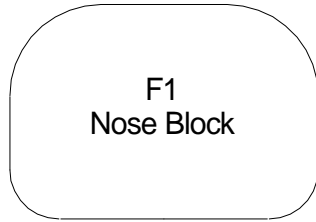


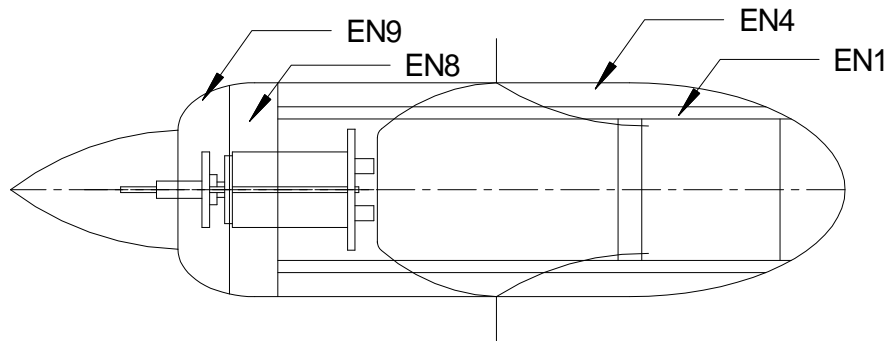
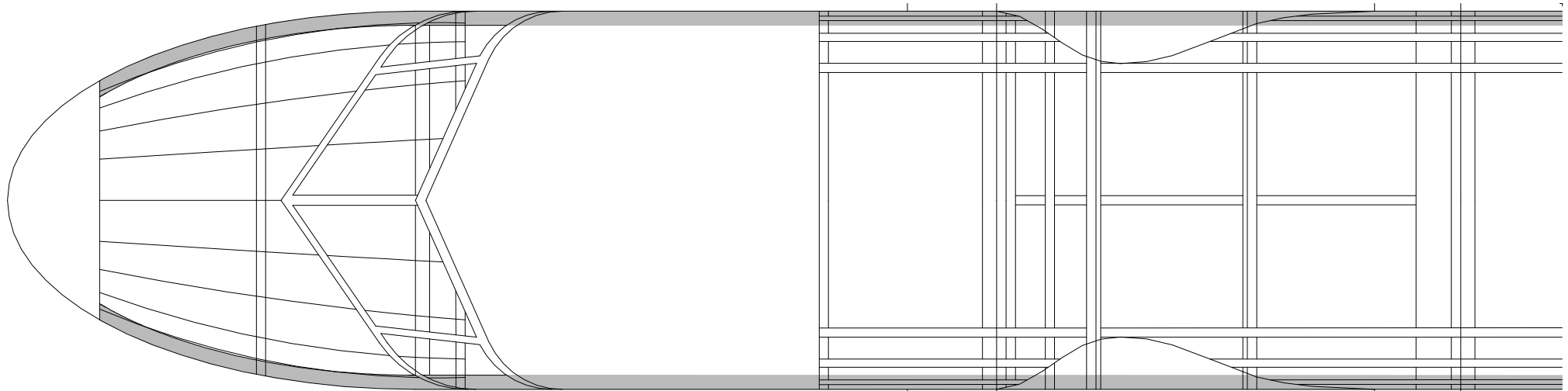
Tailplane incidence adjustment:



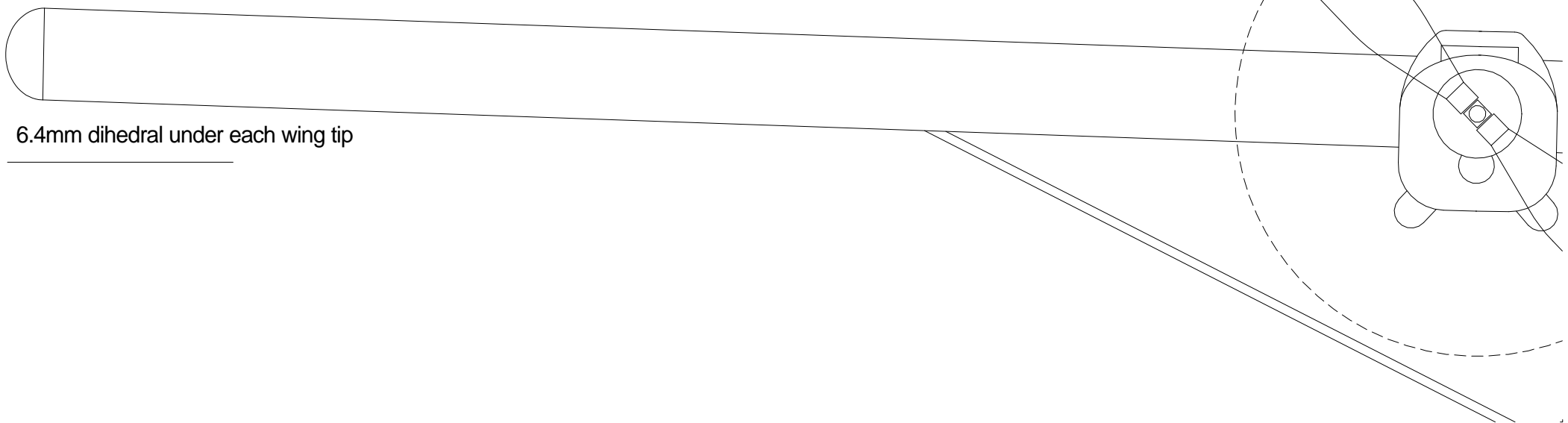
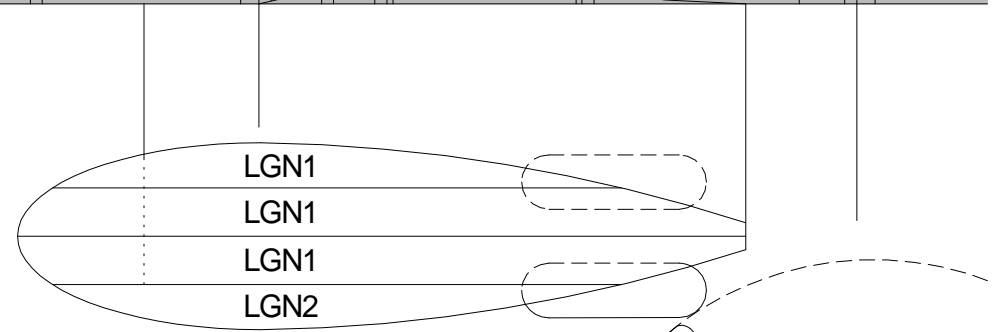
Sheet 4 of 4

F17 (2 off)
2.4 mm

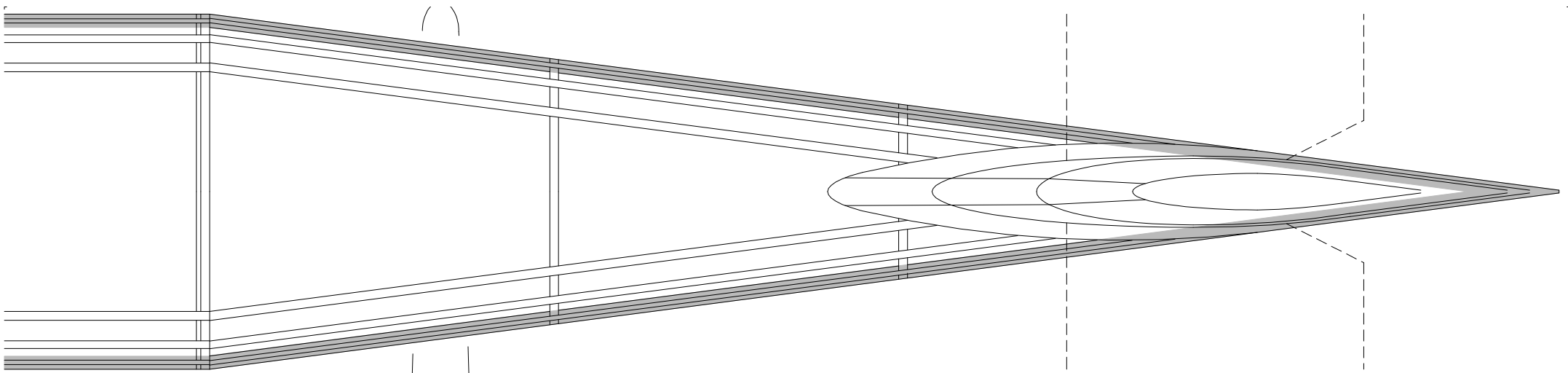




Engine nacelle top view

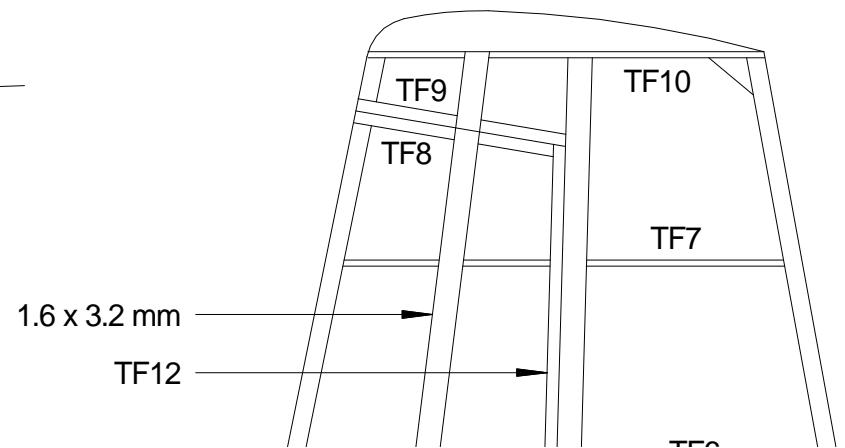
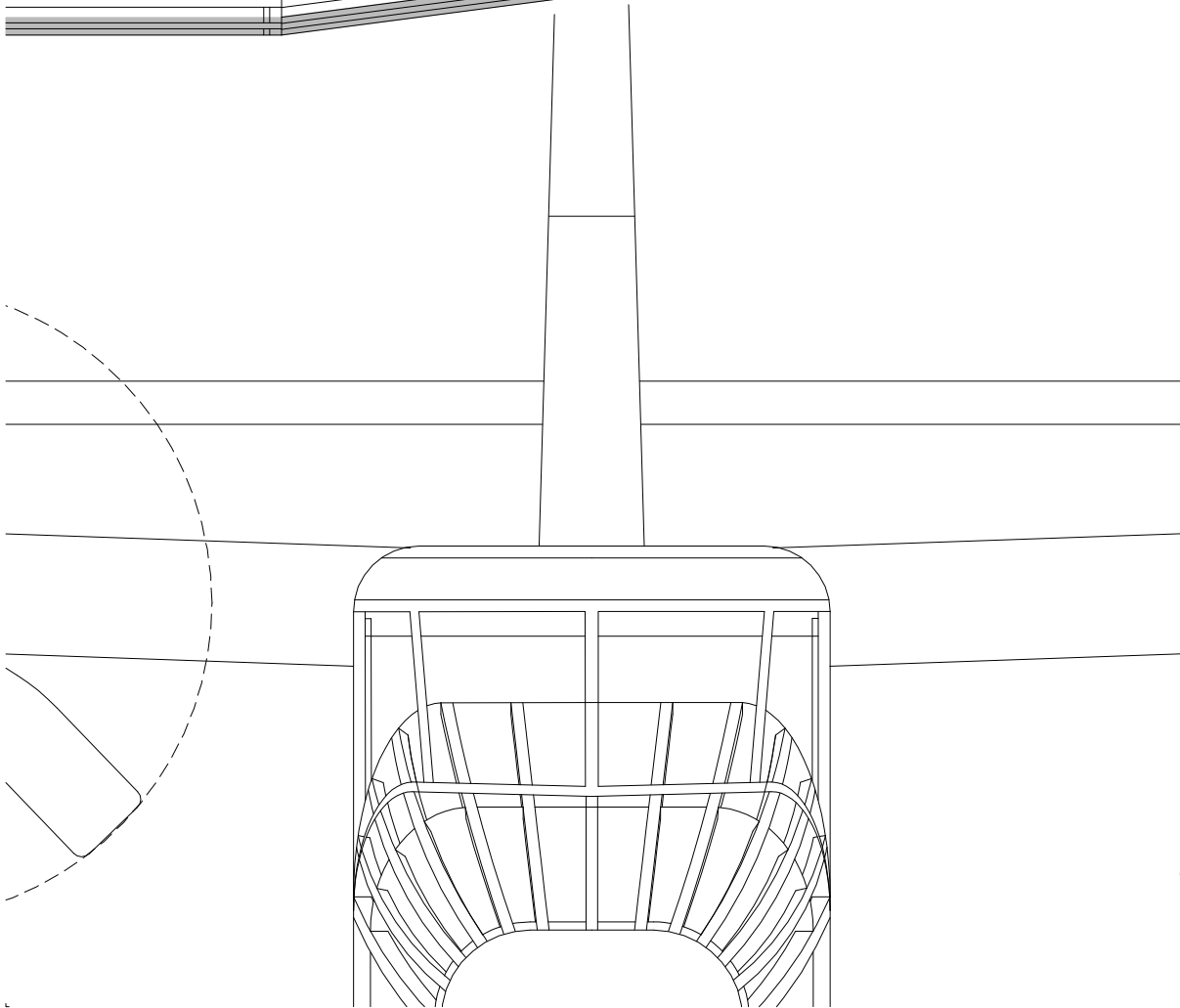


6.4mm dihedral under each wing tip



Fuselage construction:

- Main side frames (shaded in gray) from 2.4mm square
- Diagonal bracing and window frames from 2.4 x 1.6mm strip
- Stringers on nose and rounded corners from 1.6mm square
- Top and bottom formers from 1.6mm sheet



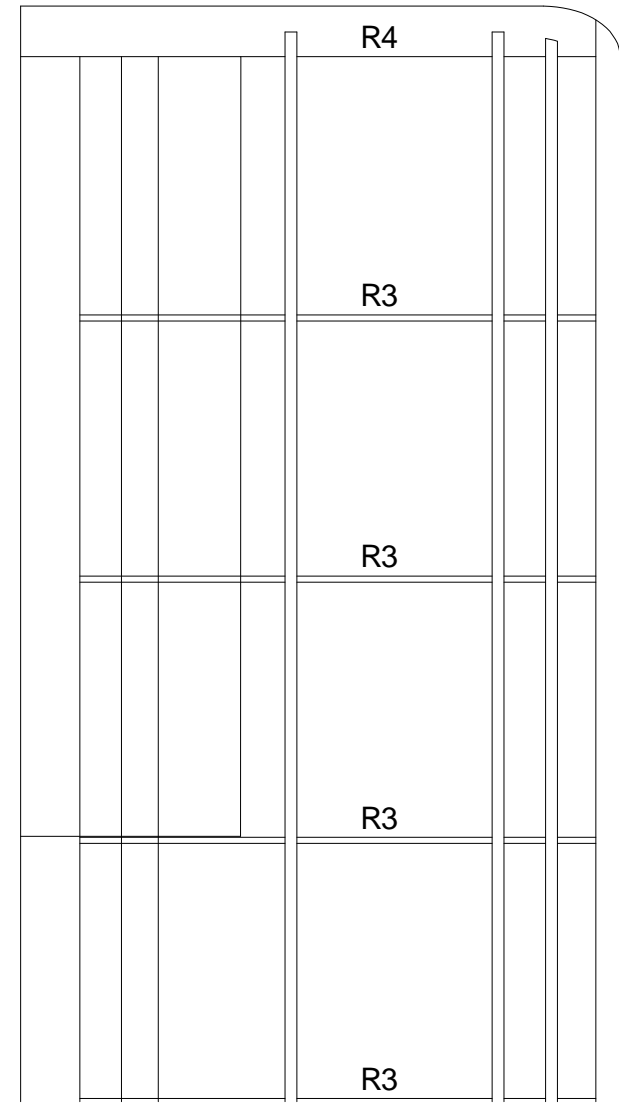
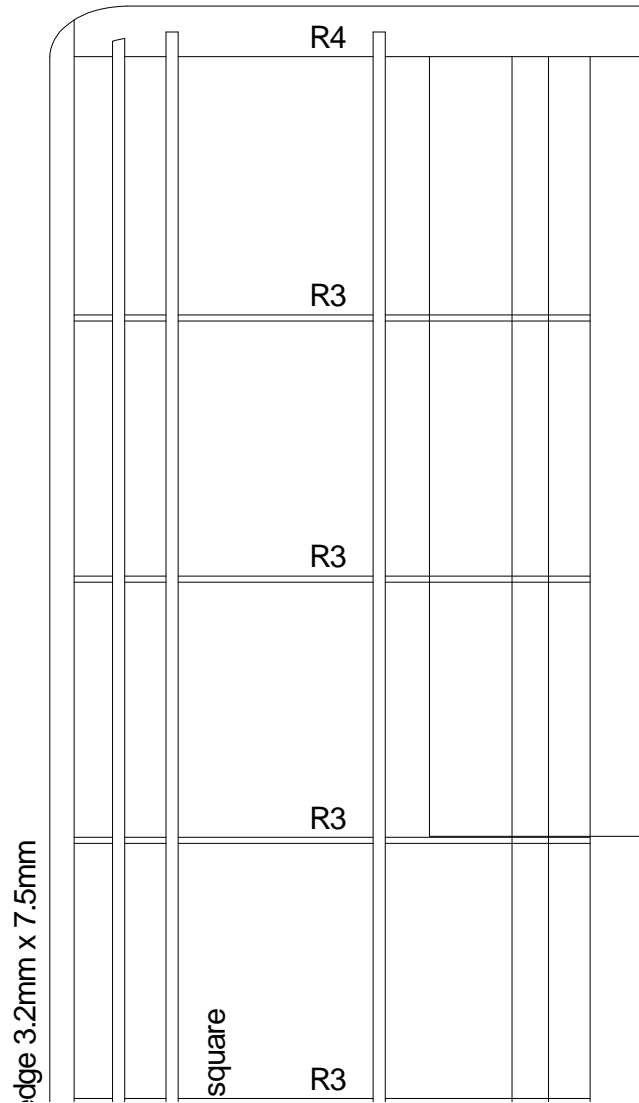
Lift struts from hard 2.4mm sheet (2 off)

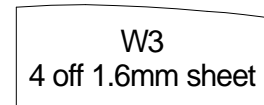
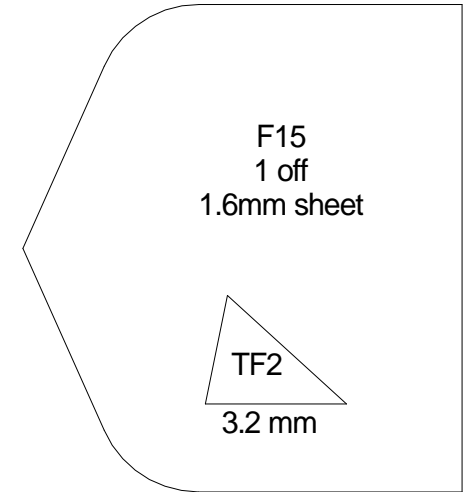
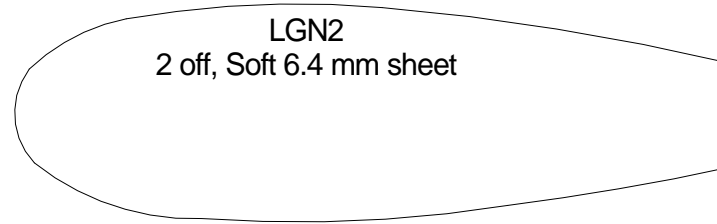
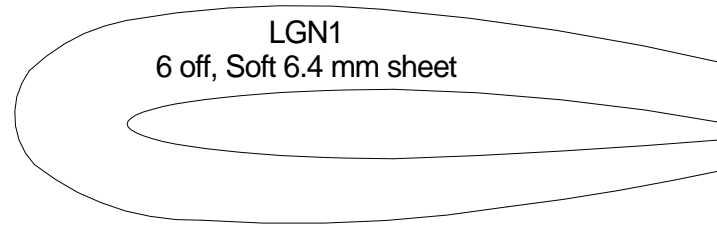
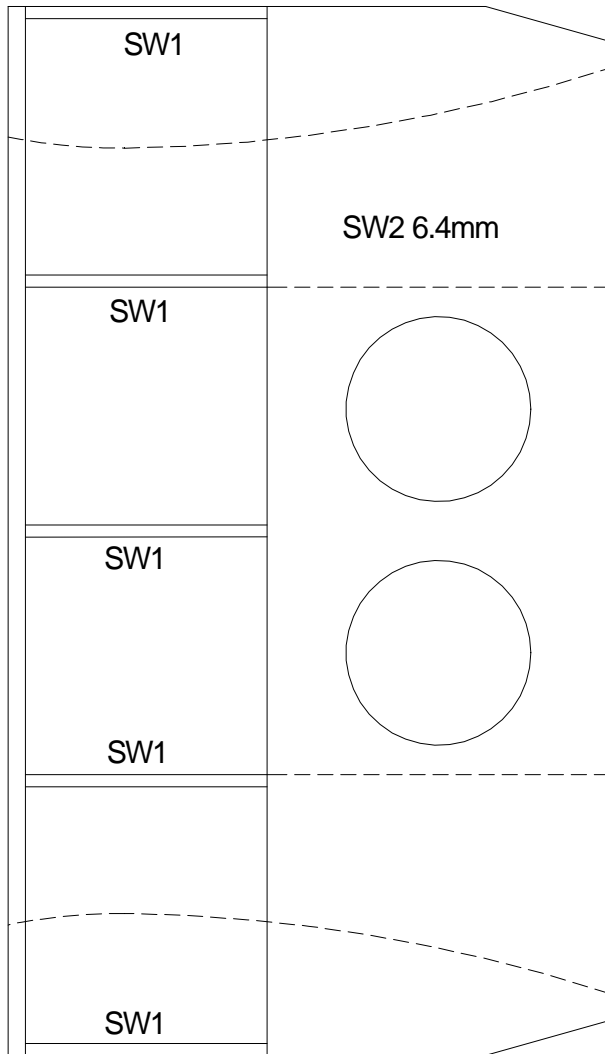
Metric conversions:

0.8mm 1/32"
1.6mm 1/16"
2.4mm 3/32"
3.2mm 1/8"
4.8mm 3/16"
6.4mm 1/4"

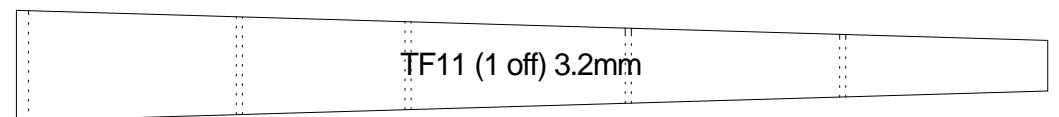
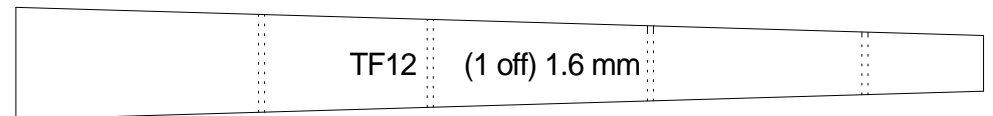
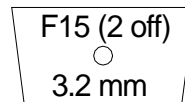
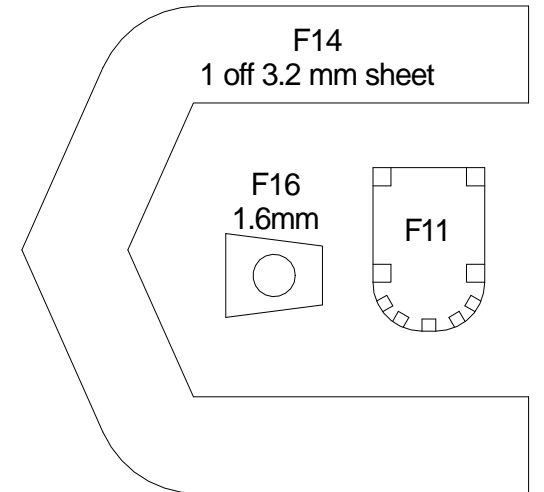
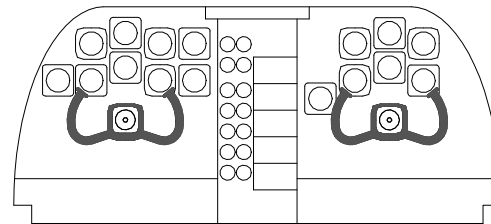
Wing construction:

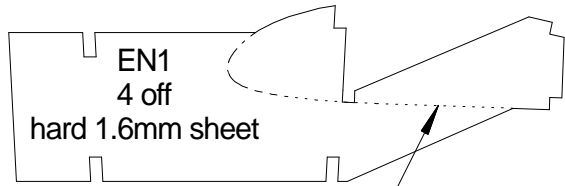
- Pin down trailing edge and position lower spars
- Glue ribs in place
- Add leading edge and upper spars
- Shape leading edge and cut out section for engine nacelles





Instrument panel (glue to F4)





Location of EN4

