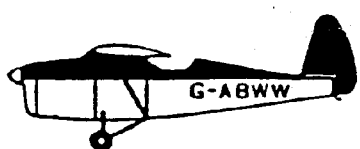
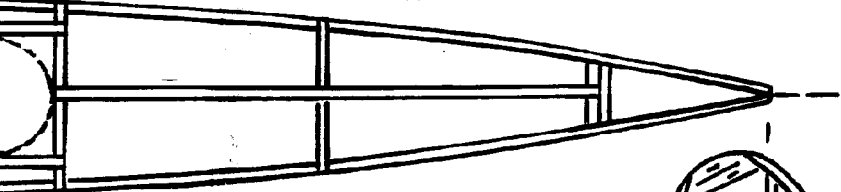
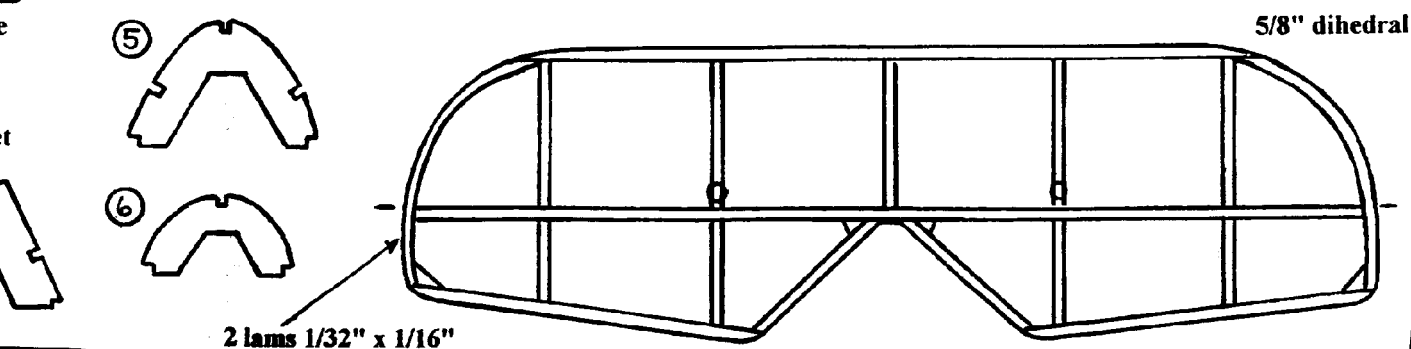
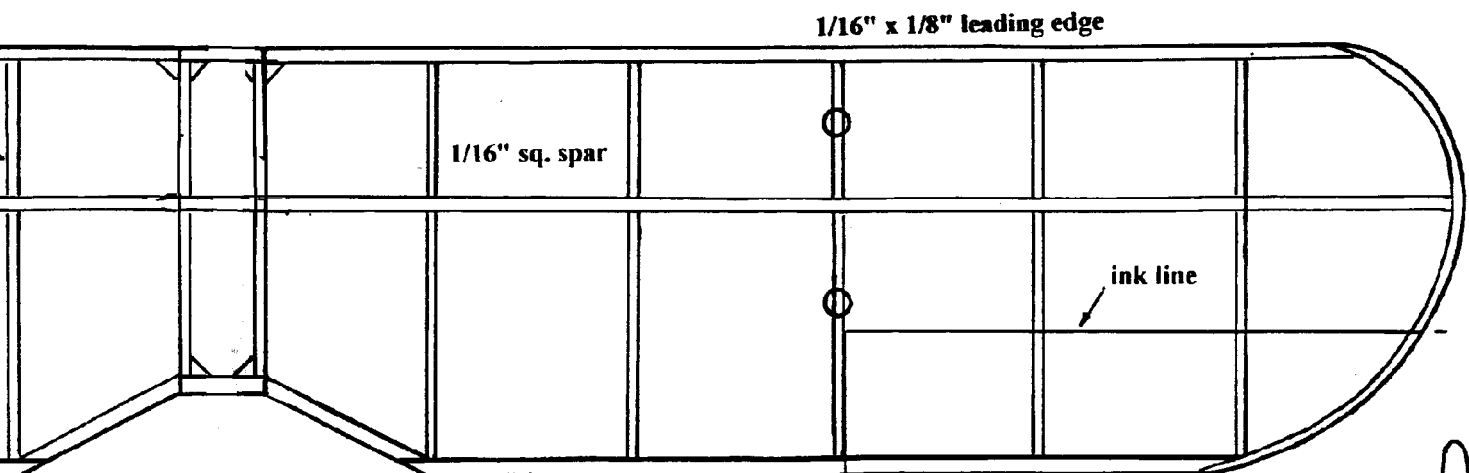


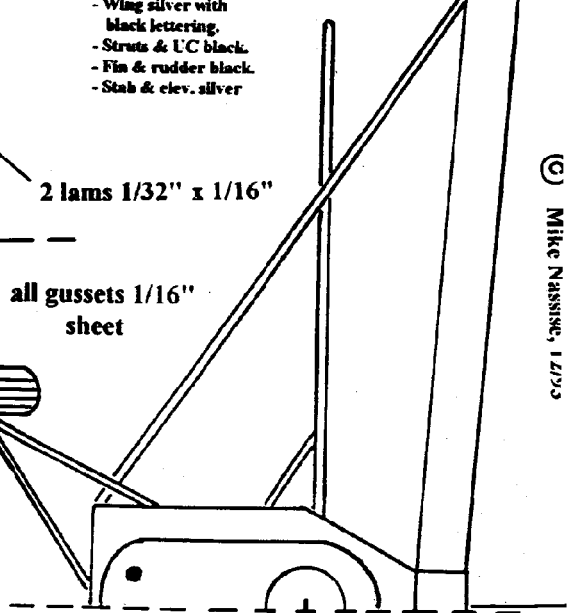
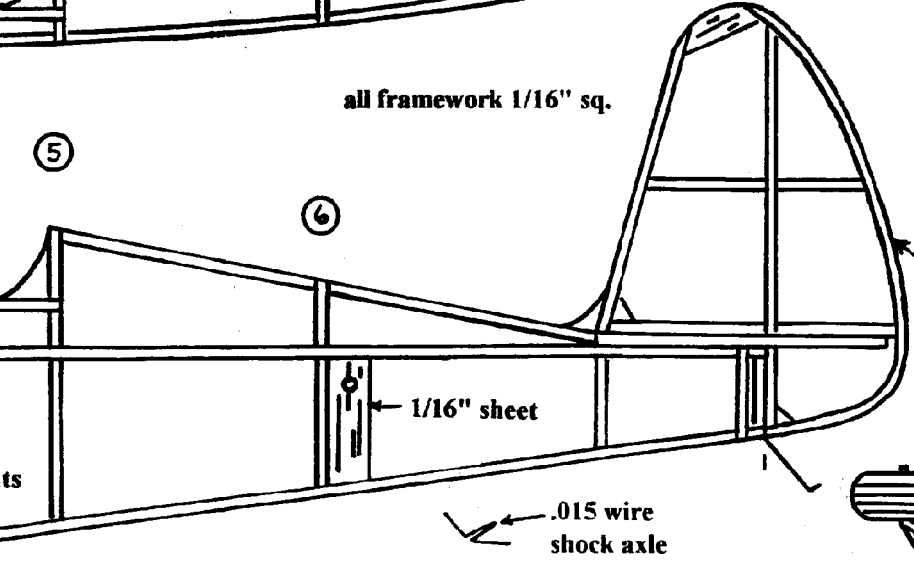
A Bay State Squadron Plan

C
D



Color Scheme

- Fuselage top decking black, sides & bottom red.
- Wing silver with black lettering.
- Struts & UC black.
- Fin & rudder black.
- Stab & elev. silver



COMPER SWIFT (Gipsy III Engine)
 Designed & Drawn by Mike Nassise, 12/93

© Mike Nassise, 12/93