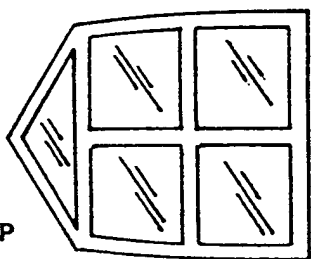
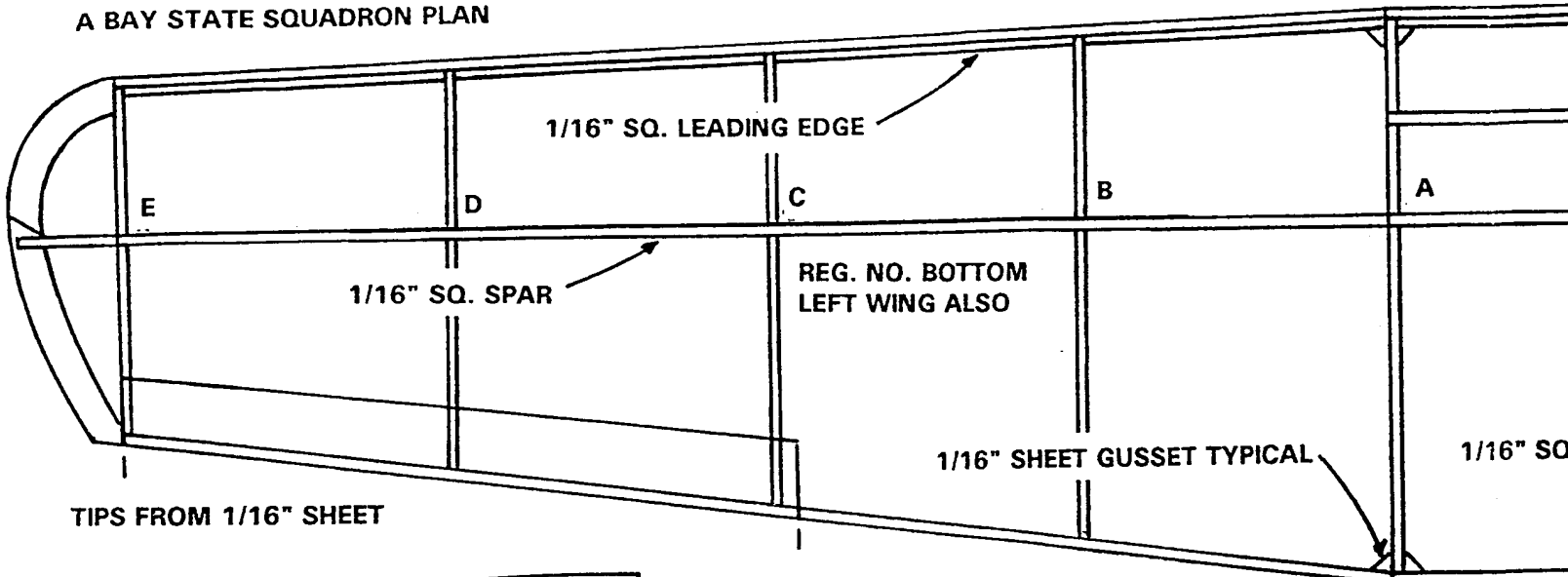


A BAY STATE SQUADRON PLAN

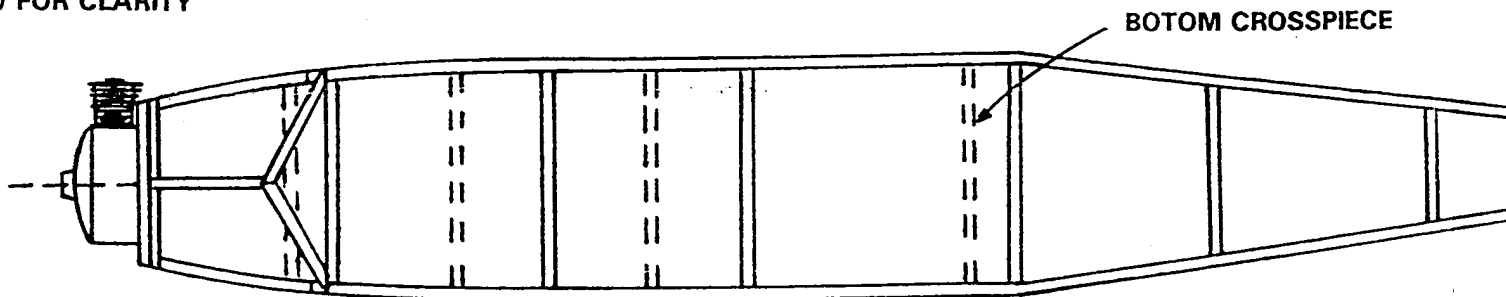


F-3 OMITTED FROM TOP VIEW FOR CLARITY

UPPER COCKPIT WINDOWS FROM BOND PAPER & CLEAR PLASTIC



ALL WING RIBS 1/16" S

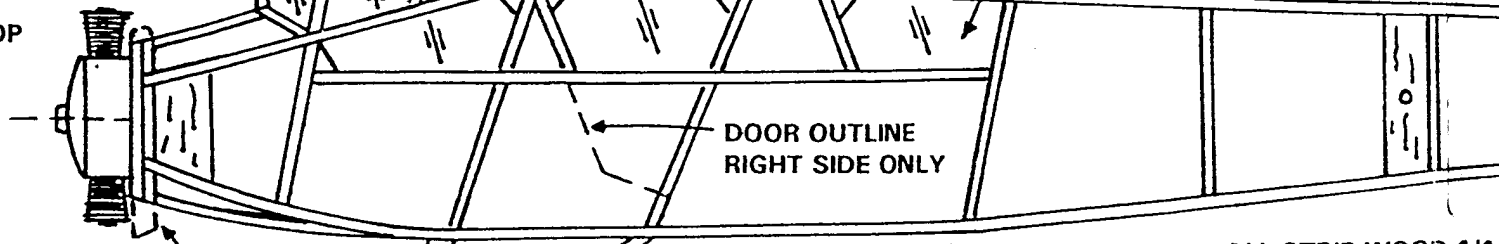


COVER TOP & BOTTOM OF NOSE WITH BOND PAPER

CLEAR PLASTIC WINDSCREEN & CABIN WINDOWS

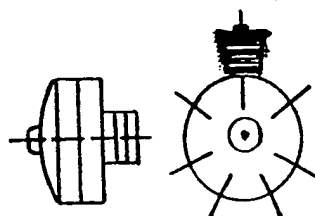
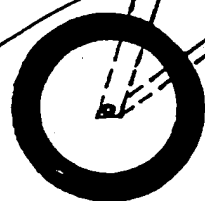
COLOR SCHEME:  
LT. GREEN FUSELAGE  
CREAM WING, FIN  
AND STABILIZER.  
BLACK REGISTRATIONS

6" PROP

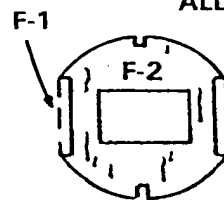


REED COLLECTOR RING

HARD Balsa GEAR STRUTS



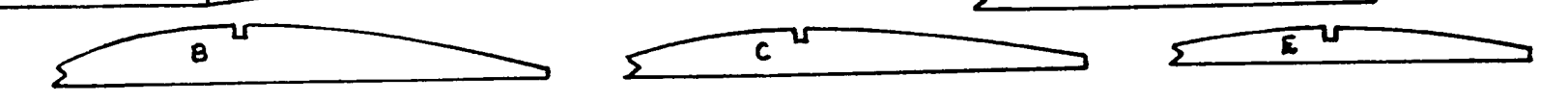
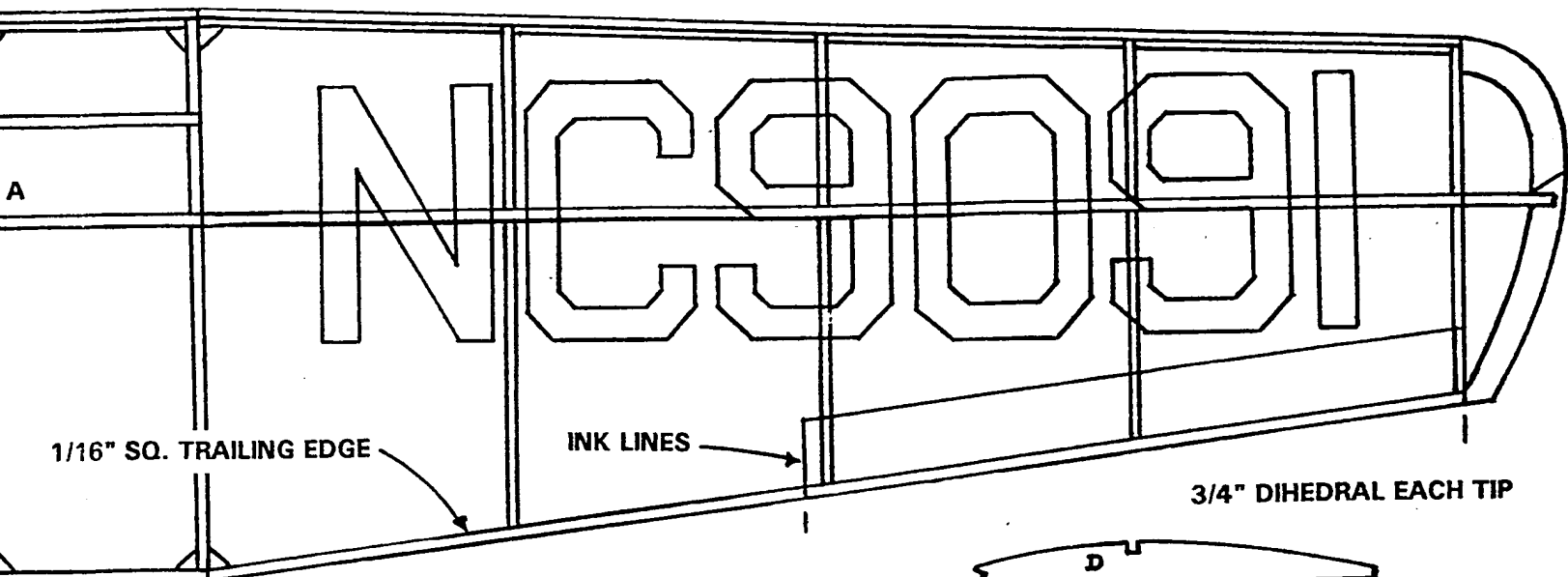
7-CYLINDER WARNER SCARAB FROM SCRAP Balsa



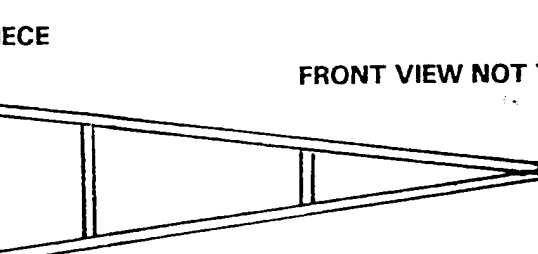
ALL STRIP WOOD 1/16"



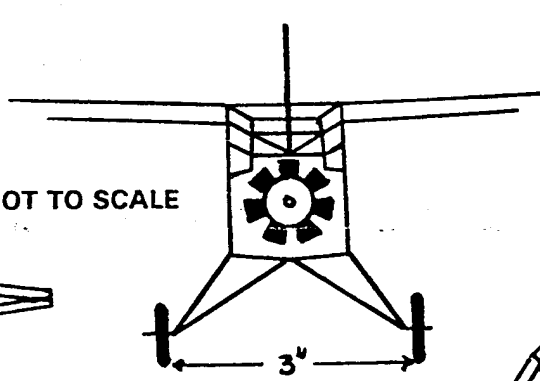
ALL FORMER



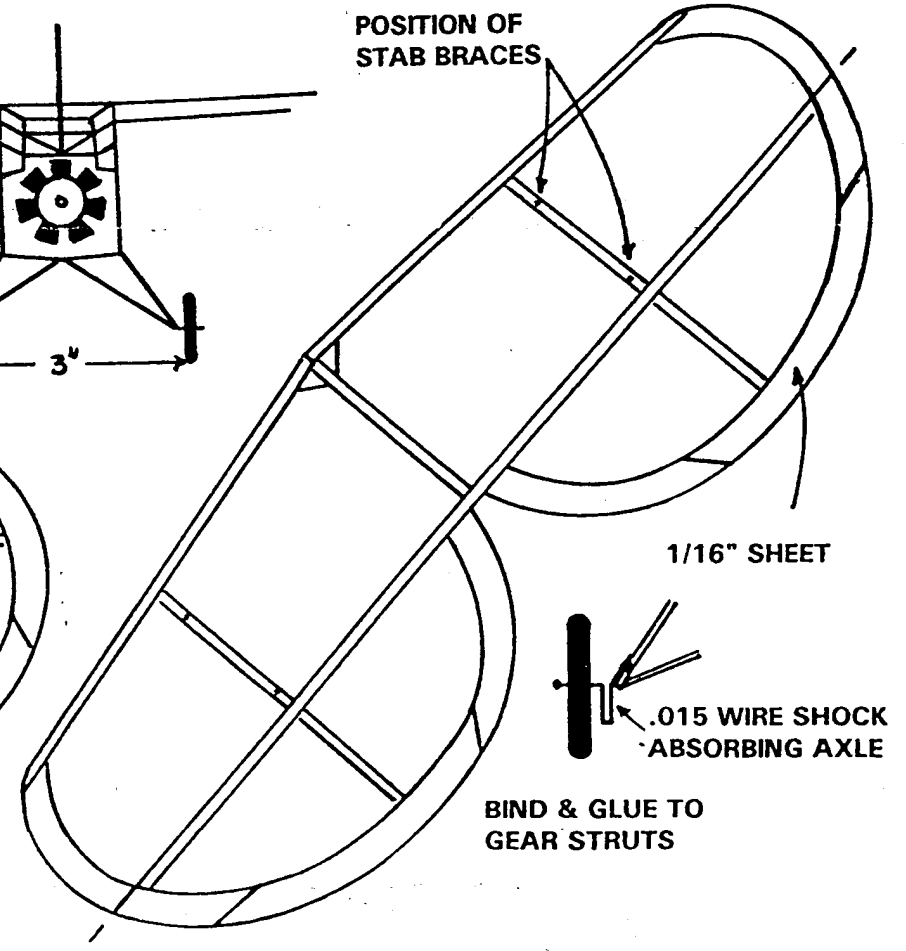
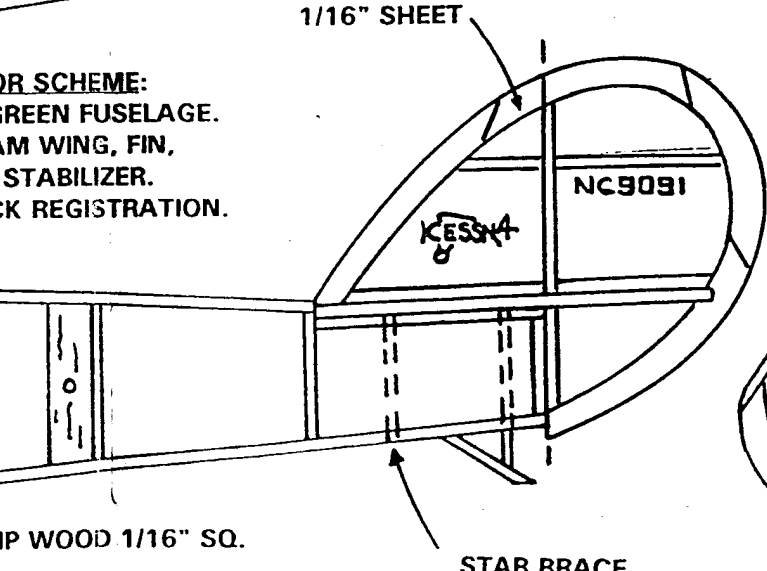
RIBS 1/16" SHEET



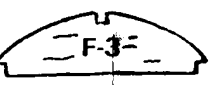
FRONT VIEW NOT TO SCALE



PAINT SCHEME:  
GREEN FUSELAGE.  
DARK WING, FIN,  
STABILIZER.  
BLACK REGISTRATION.



PLY WOOD 1/16" SQ.



APPROVED FOR FAC DIME SCALE

ALL FORMERS 1/16" SHEET

**BAY STATE MODEL CO.**

**CESSNA AW 10-CENTER**  
**WINGSPAN 16" LENGTH 10.75"**  
**DRAWN BY MIKE NASSISE, 2/98**