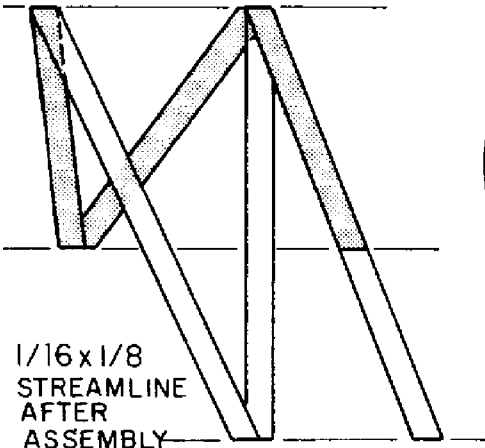
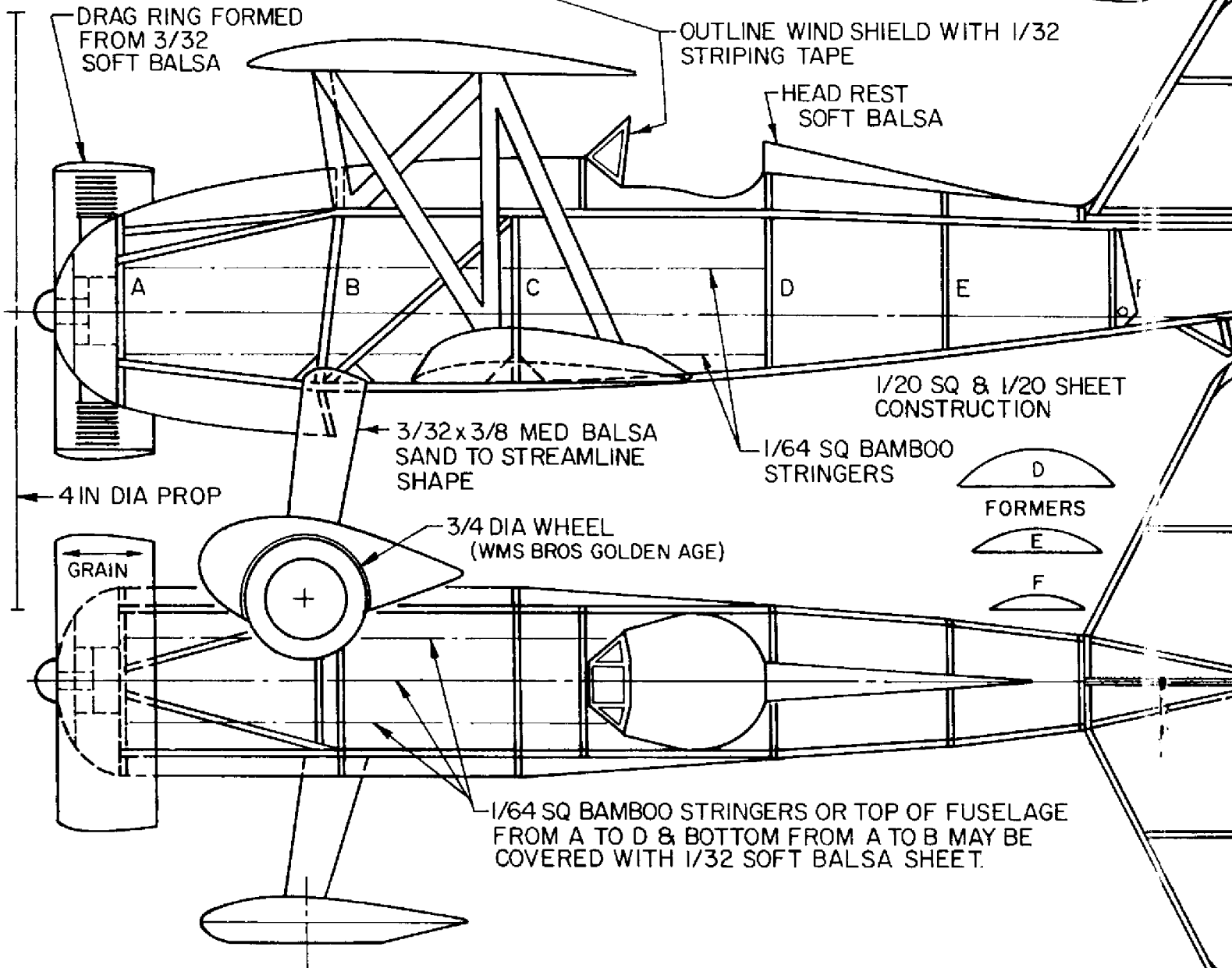
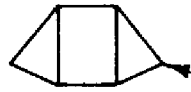
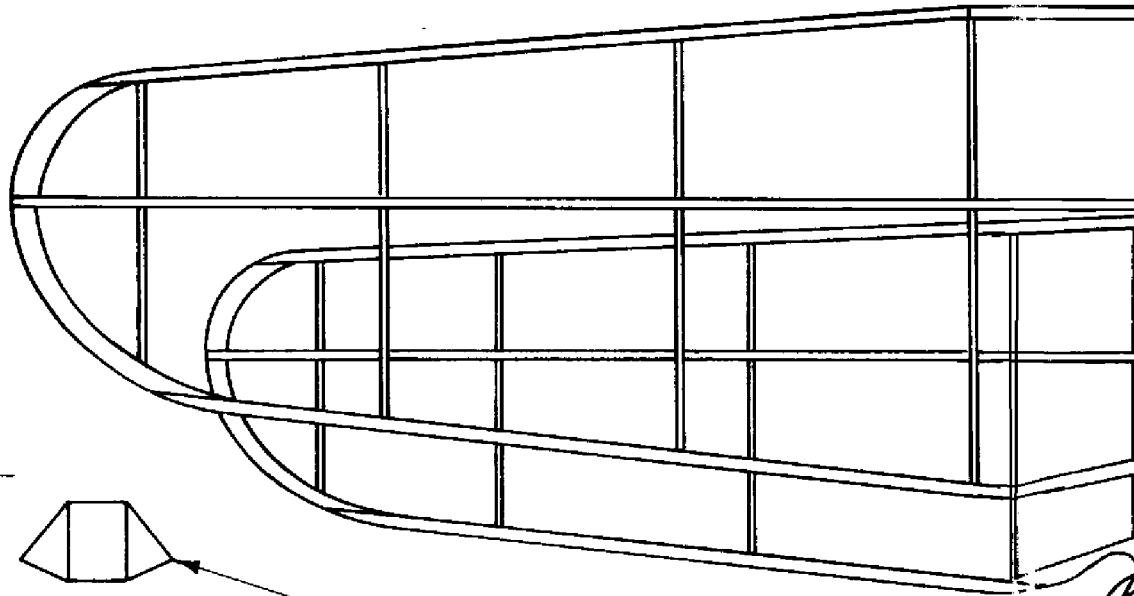


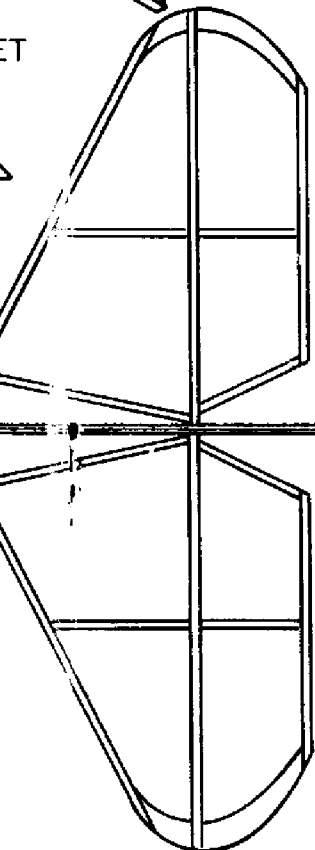
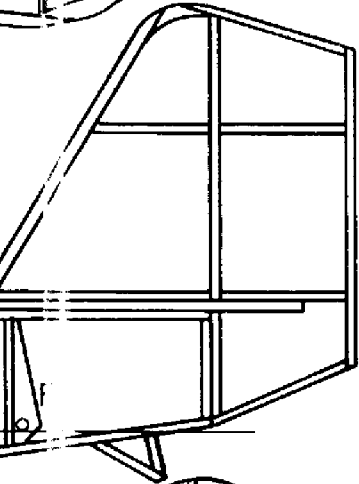
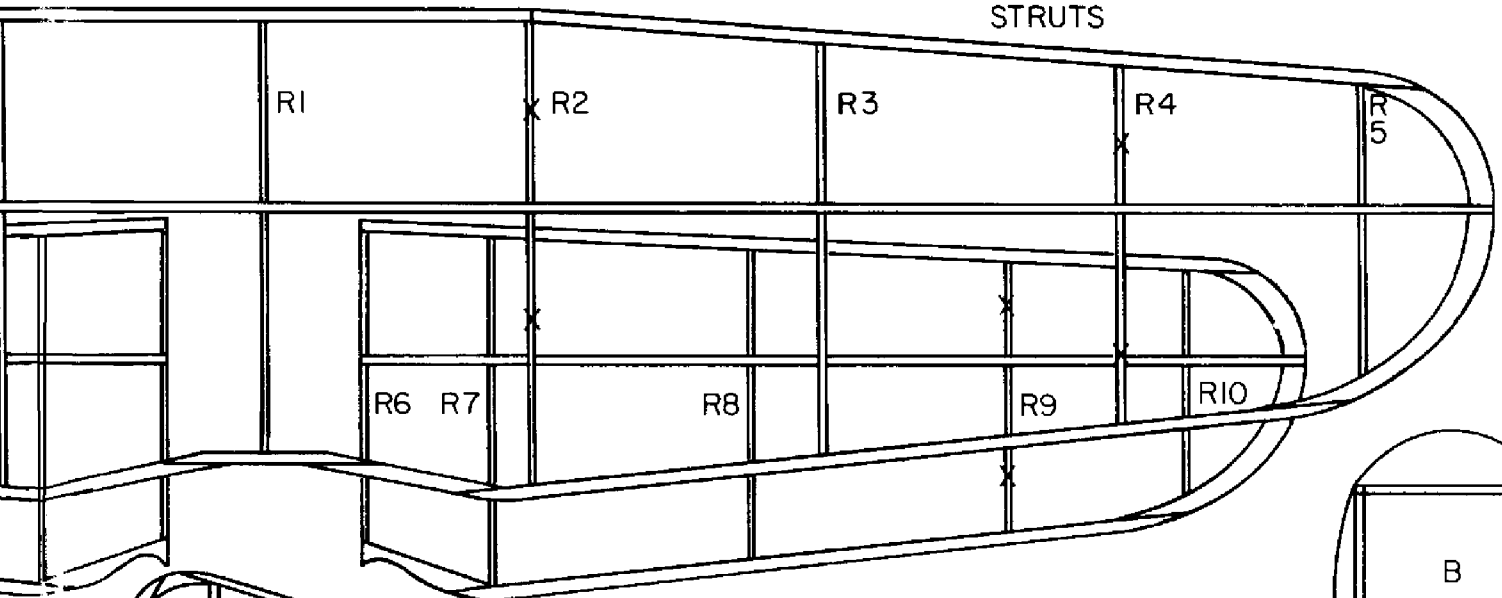
CABANE STRUTS SHOWN
SHADED



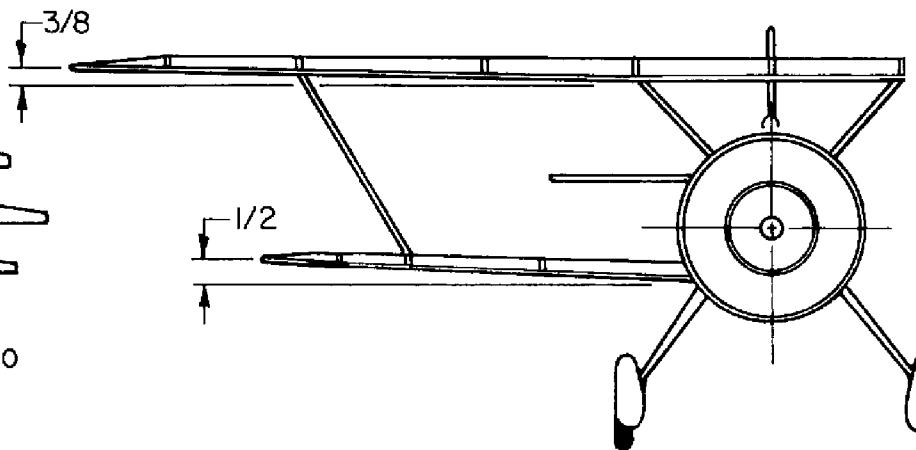
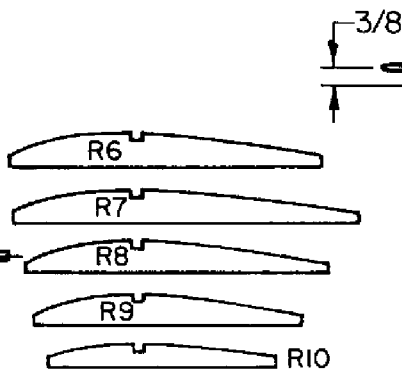
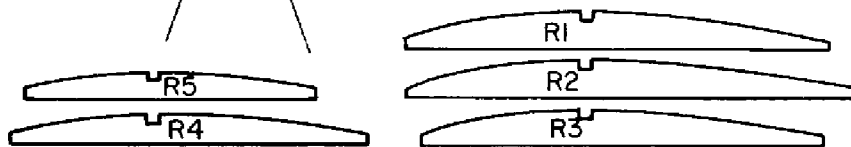
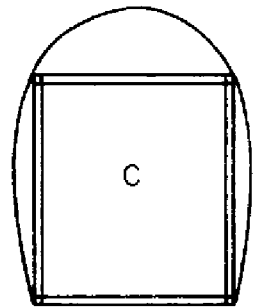
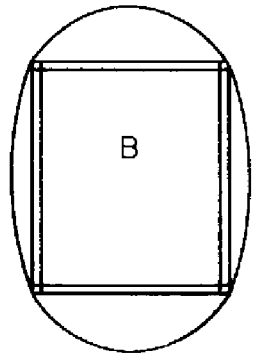
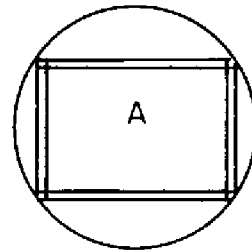
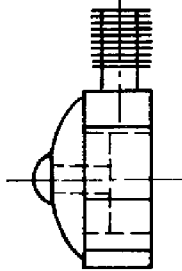
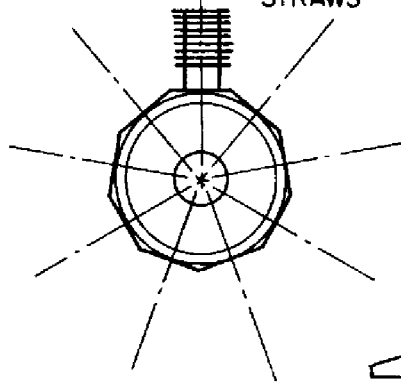
BEVEL FOR BETTER FIT



"X"=LOCATION OF CABANE & INTERPLANE STRUTS



ENGINE MAY BE FABRICATED USING WMS BROS 1/2 SCALE CYLINDERS OR FLEXIBLE SODA STRAWS



CURTISS GOSHAWK

A PEANUT VERSION OF A 1934 OR 35 MEGOW KIT. (ORIGINAL HAD 22 1/2 SPAN)